

AS Spilka Industri

Date: 11.02.2026



Spilka Products and Accessories Swing

Products and Accessories:

Spilka can offer a variety of products and accessories together with the Swing system.

This document is showing example of the complementary products and accessories that can be delivered together with the side swing.

On the following pages an example of the different products and accessories is shown.

NOTE! If any adjustment or new components are required Spilka can offer to develop, produce, and deliver such products and/or systems.

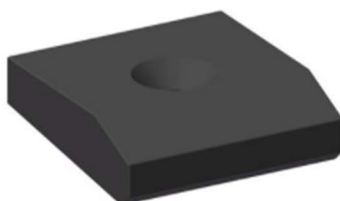
U-profile:

Available in two material variants: aluminum and polypropylene. Spilka also offers a machine for automatic embedding of u-profiles in polypropylene.



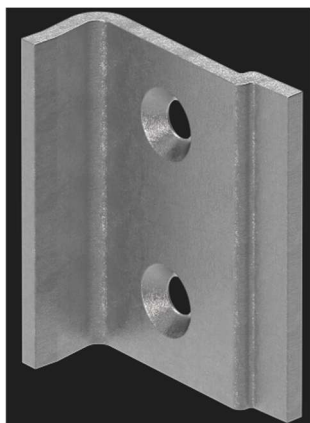
Parking wedge:

Keeps the window sash in position when closed.



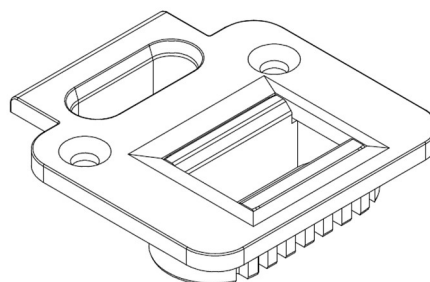
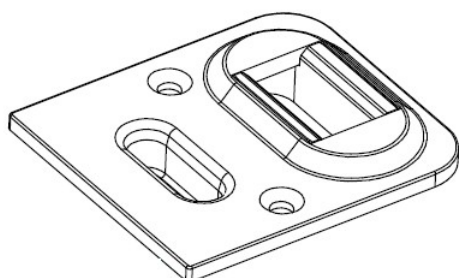
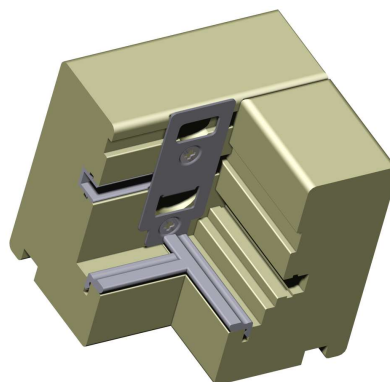
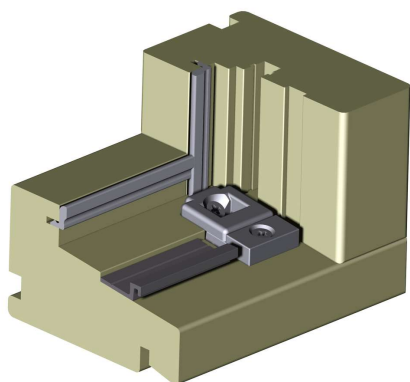
Centre sash keeps:

These components are used to ensure a good seal between the center of the sash and frame when producing windows with high sashes. Often used along with a handle with a so-called tongue to ensure a correspondingly good seal at the side of the window.



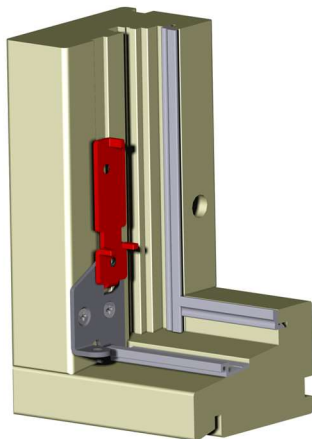
End keeps:

This Spilka has a wide selection of end keeps, which along with lockbox, espagnolette rods and handle constitute the window's opening, closing, and locking mechanism. If desired, Spilka can design end keeps adapted to our customers' individual requirements.



Sash plate safety swing:

The sash plate safety swing is installed on the top and bottom end of the sash and has to correspond to the bracket on the side swing top and bottom hinge.



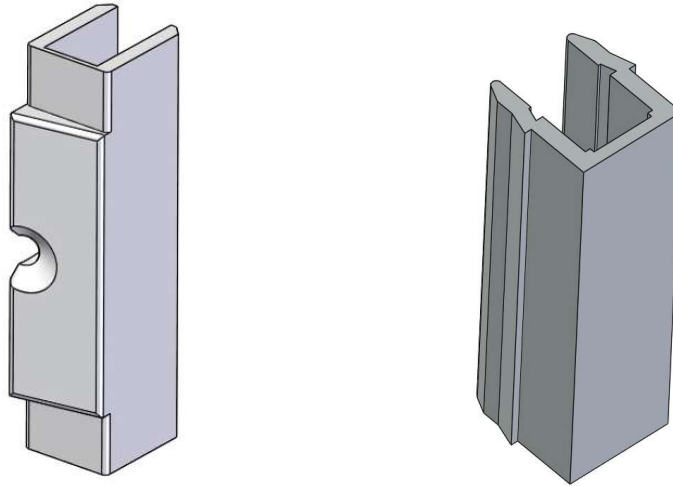
Lockbox:

Made in steel and with two spindle sizes options (7mm and 8mm) this is used with profile-relevant end keeps, espagnolette rods, guides, and handle, this completes the window's opening, closing and locking mechanism.



Espagnolette rod guides and cover:

The guide controls espagnolette rods and ensures locking in the end keeps. The Spilka espagnolette cover guides are made of plastic for reduced friction and handling force.



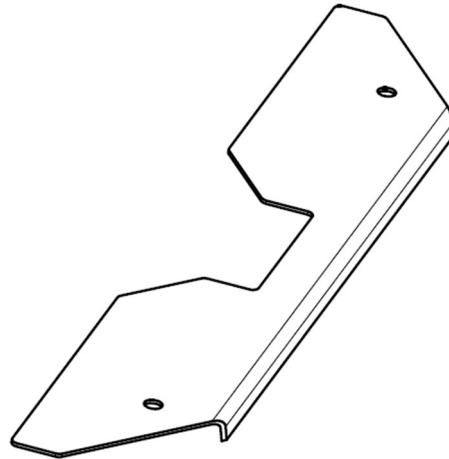
Espagnolette rod:

Spilka offers a very competitive selection of espagnolette rods in standard lengths and in 4x8 and 5x10mm dimensions. For larger projects and volumes, espagnolette rods are also offered in customized lengths, made to order.



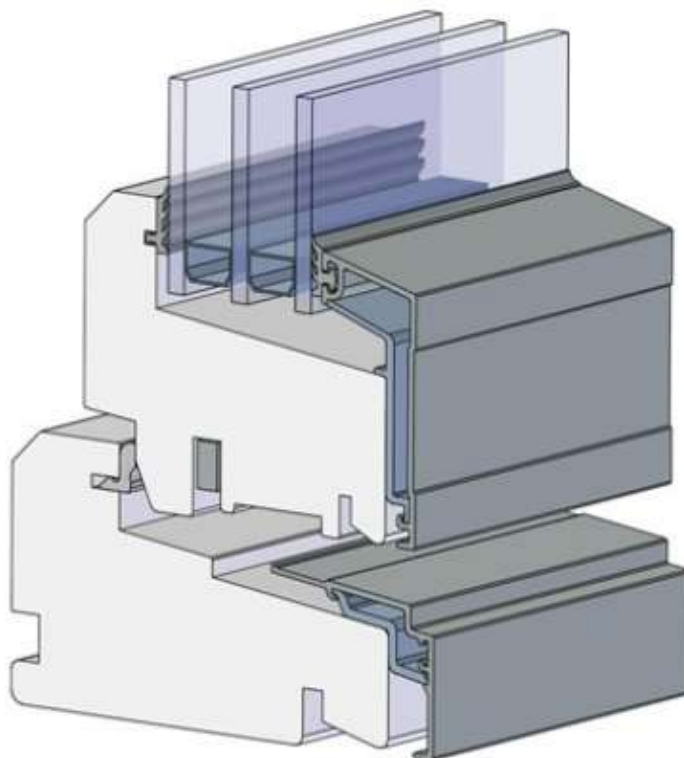
Protecting cover, restrictor:

Spilka can supply a protecting cover together the opening restrictor that will ensure sufficient protection of the frame.



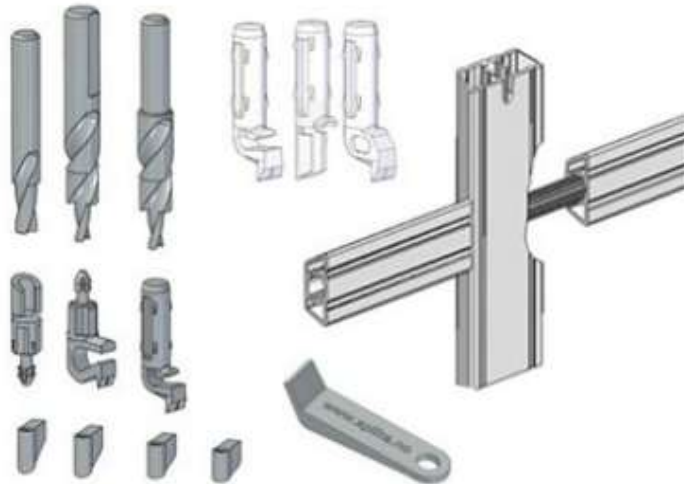
Aluminium cladding:

Spilka can supply aluminum profiles for the cladding of windows and window doors. We are also happy to assist with individual design and other preparation for aluminum profiles.



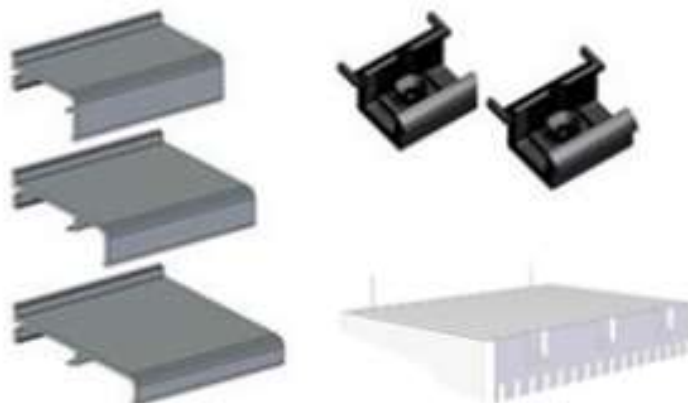
Aluminium bars and clips:

Spilka offers a selection of bars in aluminium complete with bar clips. We also offer a bar clip remover which simply and effectively loosens the window bars from their retaining clips on the sash face – for example before cleaning.



Glazing beads, clips, and wedges:

Aluminum glazing beads in various dimensions from 25mm to 48mm are delivered in either an untreated or white finish. Associated clips made of a durable plastic material are available to fasten the glazing beads to the frame and sash. Spilka also stocks glass wedges.



Vents:

The Spilvent ventilator is a well-tested window frame air vent allowing good air flow and seals in line with current building regulations. Available in five lengths with 10mm slot openings in the colors grey, black, brown and white.



Seals:

Lip gasket for sashes – helps to reduce heat loss in the window structure. Spilka can offer alternative types of seals by agreement.

