

AS Spilka Industri

Date: 11.02.2026



Swing variants and capacity overview

Swing size and capacity:

This document gives an overview of the capacity and variants of the Swing, dimensions, installation, and positioning dimensions.

The Swing components and recommended fastening screw are listed at the end of the document.

NOTE! If any adjustment or new components / colours are required Spilka can offer to develop, produce, and deliver such products and/or systems.

Swing dimensions and capacity:

The Swing comes in 6 modules (M4-M5-M6-M7-M7,5-M8).

Maximum sash weight: 40 kg

Minimum width of the window frame: Module M4 (388 mm).

Maximum width of the window frame: Module M9 (888 mm).

Maximum Sash area 1,45 m²

Wide windows:

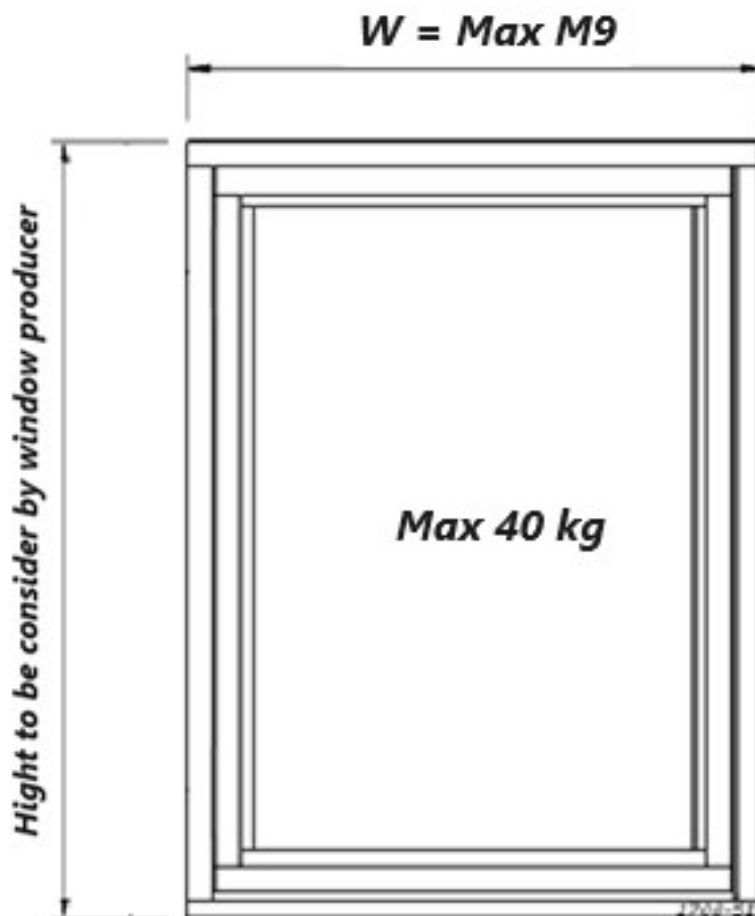
Spilka recommends installing parking wedge, especially on wide windows.

High windows:

Hight of window to be considered by the window producer.

Spilka recommends installing Centre sash keep and Sash Plate safety Swing on high windows.

Espagnolette system to be designed for high sash / windows.



Swing modules / window sizes:

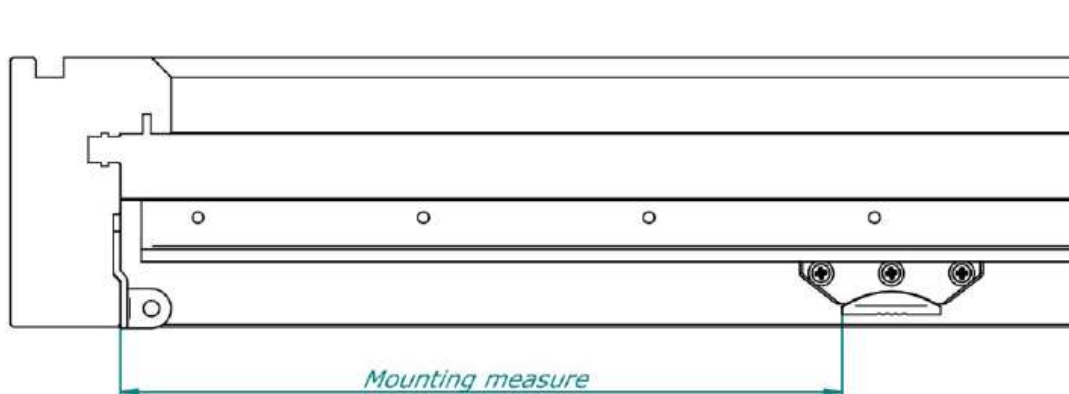
HINGE MODULES / WINDOW SIZES							
		M4	M5	M6	M7	M7,5	M8
W min	mm	388	488	588	688	738	788
W max	mm	487	587	687	787	837	888

W = Width outer frame.
Modules might vary with different profile dimensions
AS Spilka Industri can advise on this as necessary.

Swing frame restrictor part assembly:

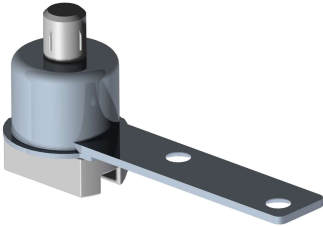
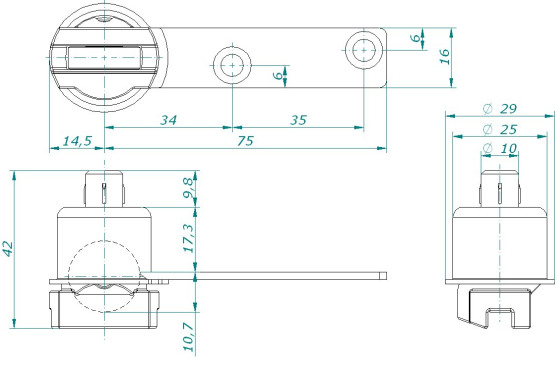
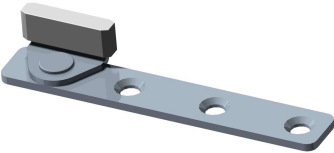
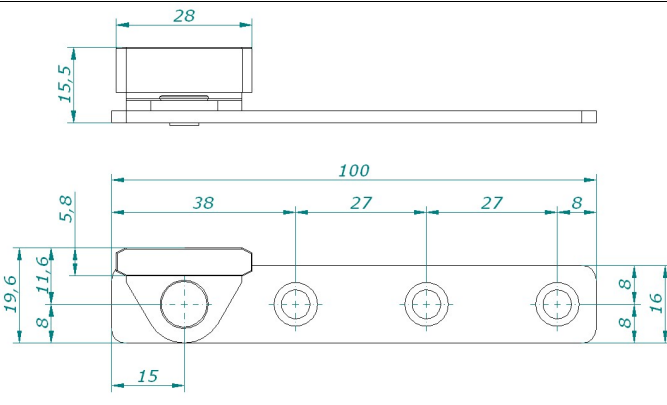
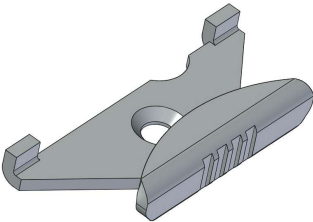
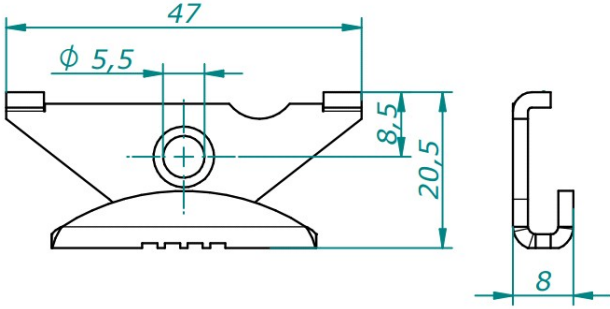

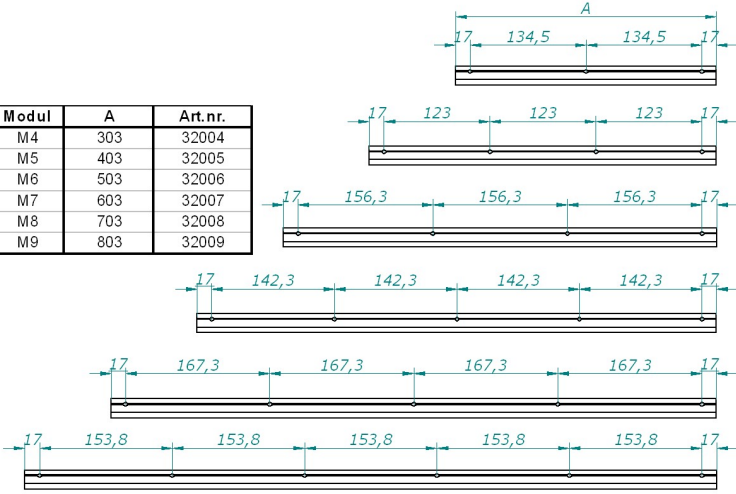
Window Width	Hinge	Assembly measurements
388-487	M4	160 mm
488-587	M5	204 mm
588-687	M6	249 mm
688-787	M7	297 mm
738-837	M7,5	322 mm
788-888	M8	347 mm

Overall frame width .
Measurements can vary according to profile dimensions.
AS Spilka Industri is helpful with relevant calculations .


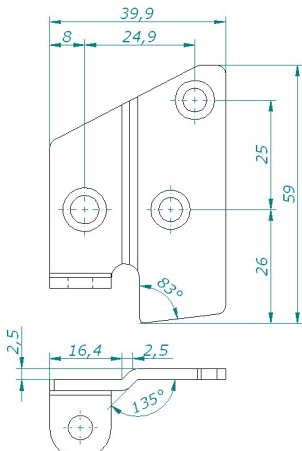
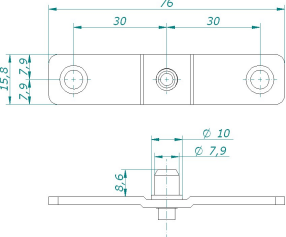

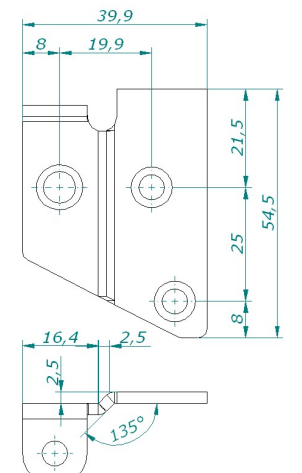
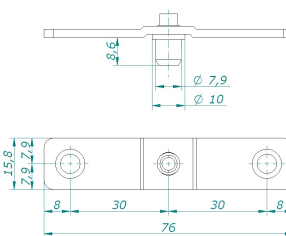
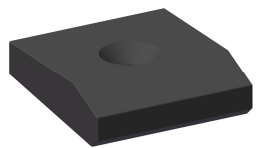
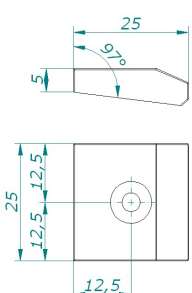
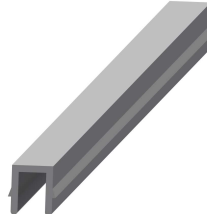


Swing components:

The Swing components are listed in the below table. The screw dimensions are listed but are not part of Spilka scope of supply.

<p>Wheel Item no: 13910</p> 		<p>Screws: 2 off, Ø4 x 30</p>																					
<p>Sash guide top Item no: 13908</p> 		<p>Screws: 3 off, Ø4 x 30</p>																					
<p>Keeper opening restrictor Item no: 13903</p> 		<p>Screws: 1 off, Ø4 x 20</p>																					
<p>Alu rail Item no: 32004 – 32009 Screw Item no: 19233</p> 	<table border="1" data-bbox="512 1608 775 1756"> <thead> <tr> <th>Modul</th> <th>A</th> <th>Art.nr.</th> </tr> </thead> <tbody> <tr> <td>M4</td> <td>303</td> <td>32004</td> </tr> <tr> <td>M5</td> <td>403</td> <td>32005</td> </tr> <tr> <td>M6</td> <td>503</td> <td>32006</td> </tr> <tr> <td>M7</td> <td>603</td> <td>32007</td> </tr> <tr> <td>M8</td> <td>703</td> <td>32008</td> </tr> <tr> <td>M9</td> <td>803</td> <td>32009</td> </tr> </tbody> </table> 	Modul	A	Art.nr.	M4	303	32004	M5	403	32005	M6	503	32006	M7	603	32007	M8	703	32008	M9	803	32009	
Modul	A	Art.nr.																					
M4	303	32004																					
M5	403	32005																					
M6	503	32006																					
M7	603	32007																					
M8	703	32008																					
M9	803	32009																					

Swing components:

<p>Hinge bottom with opening restricator Item no: 13441 - 13482</p> 	<p>Frame plate:</p> 	<p>Sash plate:</p> 	<p>Screw, frame plate: 3 off, Ø4 x 30 Screw, sash plate: 2 off, Ø4 x 30</p>
<p>Hing top Item no: 13341 - 13382</p> 	<p>Frame plate:</p> 	<p>Sash plate:</p> 	<p>Screw, frame plate: 3 off, Ø4 x 30 Screw, sash plate: 2 off, Ø4 x 30</p>
<p>Parking wedge Item no: 19705</p> 		<p>Screw: 1 off, Ø3,5 x 20</p>	
<p>U-profile, PP- list Item no: 44200</p> 	<p>Machining for U-profile</p> 