

AS Spilka Industri

Date: 11.02.2026



Spilka Products and Accessories Classic

Products and Accessories:

Spilka can offer a variety of products and accessories together with the hinge system.

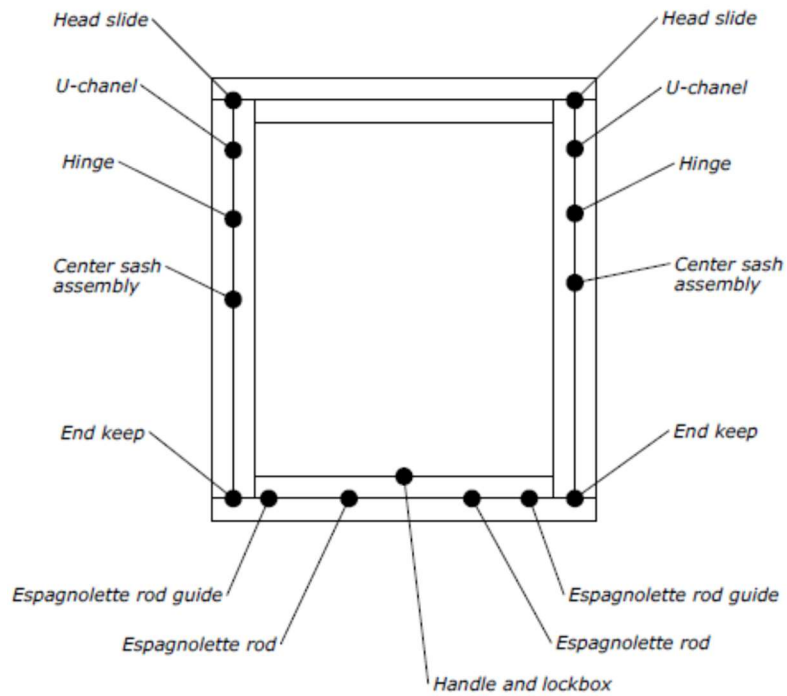
This document is shown an example of the complementary products and accessories that can be delivered together with the Classic hinge.

On next page the "Main hardware components" and the "Optional extra" that can be delivered and the position on the window.

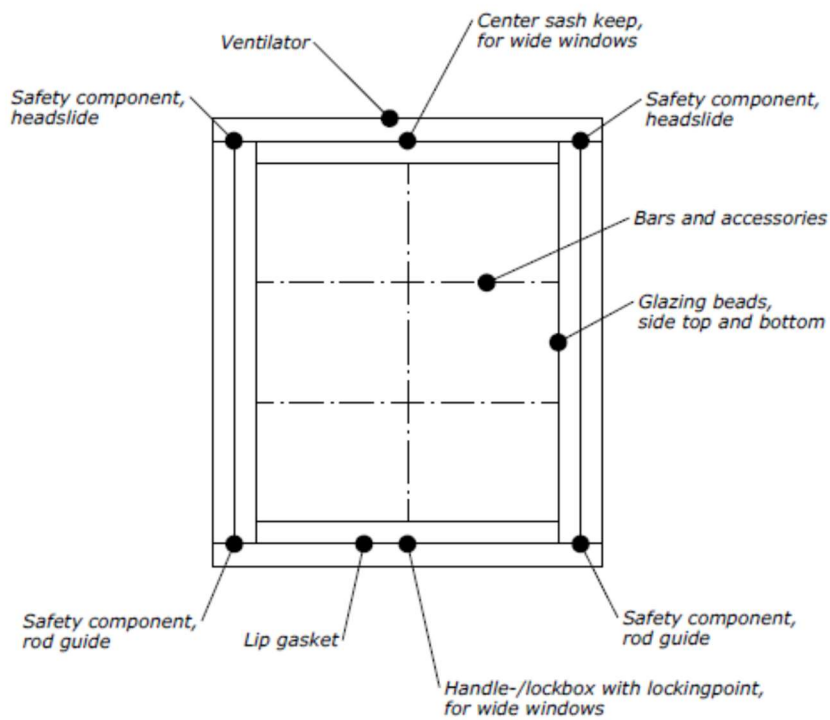
On the following pages an example of the different products and accessories is shown.

NOTE! If any adjustment or new components are required Spilka can offer to develop, produce, and deliver such products and/or systems.

Main hardware components



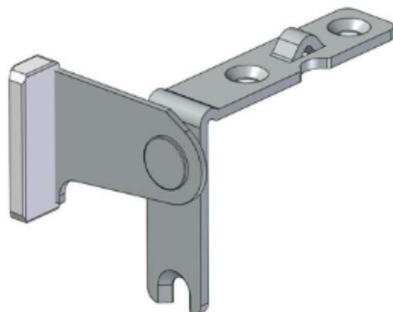
Optional extras



Head slide:

This component fits to the top (head) of the sash and its plastic glider slides within a “u-profile” in the sides (jamb) of the window frame.

This help to guide the sash during opening, reversing, and closing.



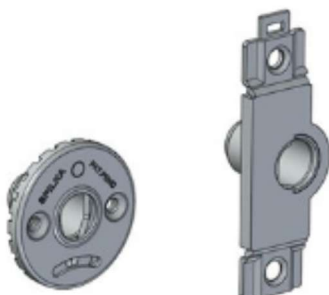
U-profile:

Available in two material variants: aluminum and polypropylene. Spilka also offers a machine for automatic embedding of u-profiles in polypropylene.



Centre sash assembly:

Two alternative center sash assemblies are offered for Classic hinges, these components secure the sash to the hinge and thereby to the frame. The center sash assembly with a locking slide and Spilka’s newest variant Rondo. For Rondo, the hinge pivot clicks into the center sash assembly and is locked by means of spring loading.



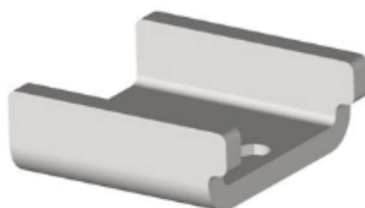
End keeps:

This Spilka has a wide selection of end keeps, which along with lockbox, espagnolette rods and handle constitute the window's opening, closing, and locking mechanism. If desired, Spilka can design end keeps adapted to our customers' individual requirements.



Espagnolette rod guides:

The guide controls espagnolette rods and ensures locking in the end keeps (4). To ensure maximum strength and resistance, Spilka's guides are made of steel.



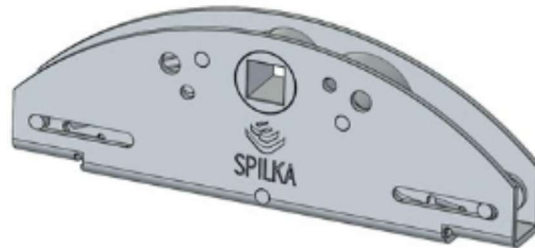
Espagnolette rod:

Spilka offers a very competitive selection of espagnolette rods in standard lengths and in 4x8 and 5x10mm dimensions. For larger projects and volumes, espagnolette rods are also offered in customized lengths, made to order.



Lockbox:

Made in steel and with two spindle sizes options (7mm and 8mm) this is used with profile-relevant end keeps, espagnolette rods, guides, and handle, this completes the window's opening, closing and locking mechanism



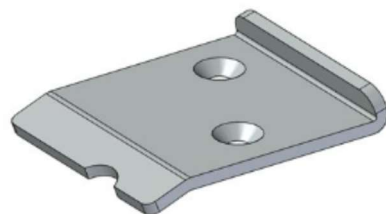
End keeps top sash:

When used with the top sash hinge our steel end keeps in the top of the window frame meet safety window criteria (300N load).



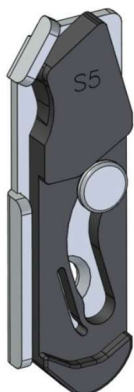
Centre sash keeps:

These components are used to ensure a good seal between the center of the sash and frame when producing windows with wide sashes. Often used along with a handle with a so-called tongue to ensure a correspondingly good seal at the bottom of the window.



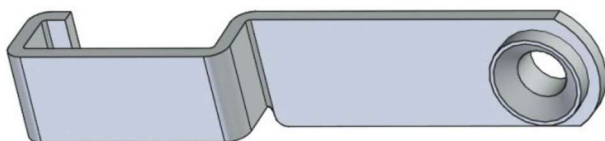
Opening restrictor:

Prevents the window from blowing shut due to wind or similar when locked in the ventilation position. Available in hinge sizes S3 – S7. The opening restrictor may be supplied as standard but can also be 'retro-fitted' if required



Ventilation device:

This additional component allows the positioning of the sash in an open position of about 30cm. It is also useful if the sash fails to interlock with the opening restrictor when turning the window for cleaning due to facade/building intrusion.



Lock for opening restrictor:

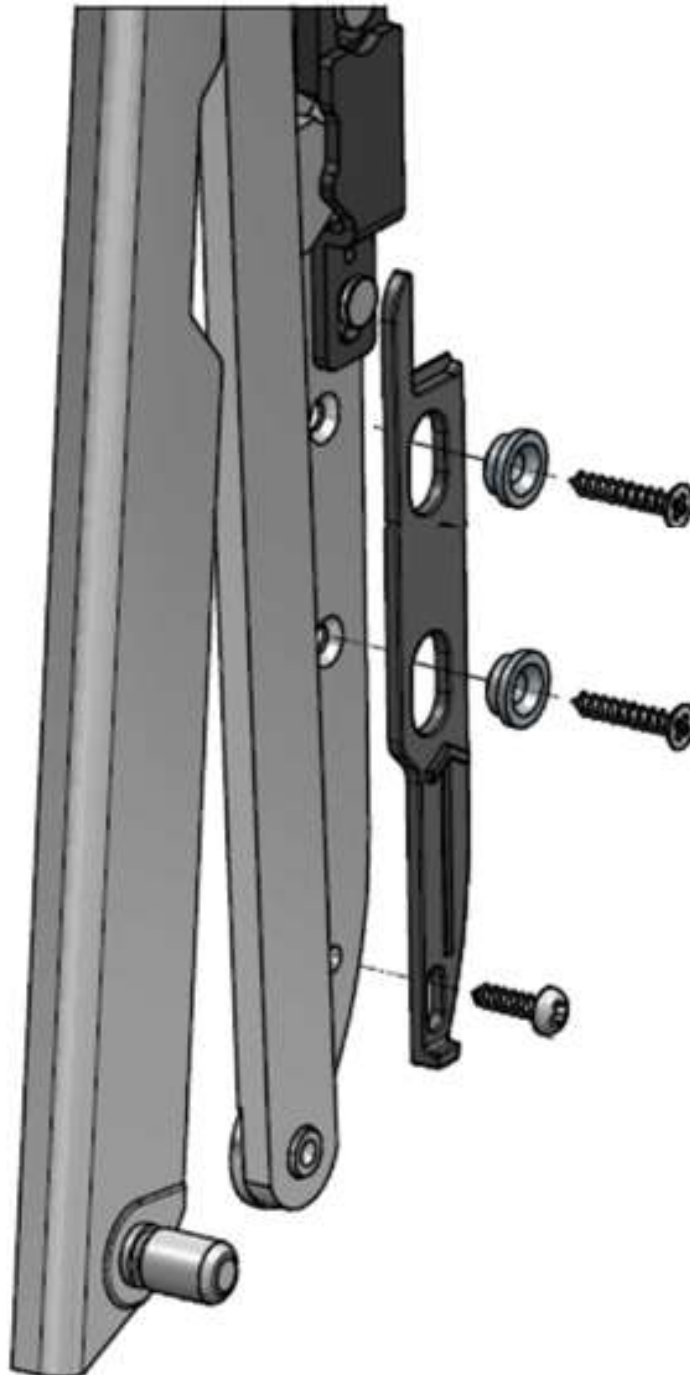
By fitting a restrictor lock, the hinge assembly's opening restrictor is locked so that the window cannot be opened past the opening restrictor – approximately 80mm. To open it further, the restrictor lock must be released manually.



Extension for opening restrictor:

By fitting an extension for the opening restrictor, the opening restrictor release can be made easier. The extension is available on S5, S6, S7 and S8 hinge solution.

Note! Be aware that when installing the extension for the opening restrictor the window will be easier to fully open for children and from outside.



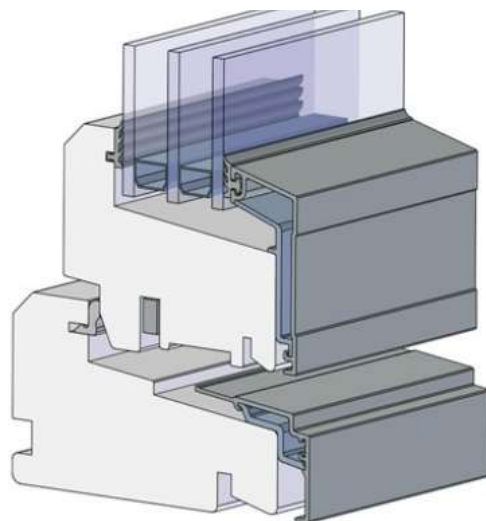
Cover list aluminium:

A cover profile in aluminum for the Classic hinge range for use on aluminum-clad windows. The cover list can be painted in any specified RAL-color.



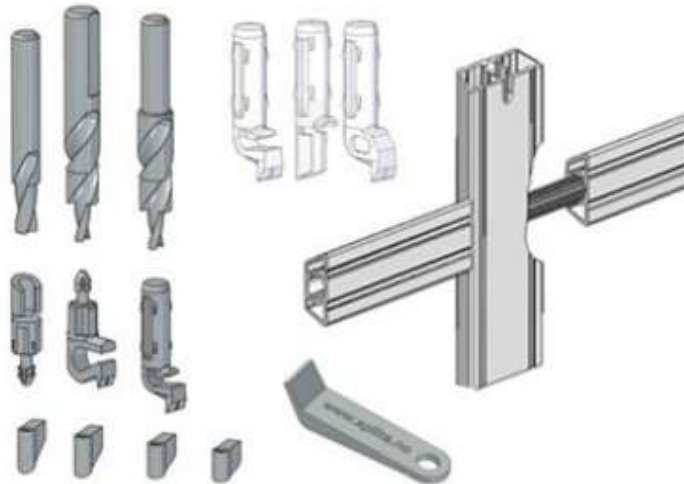
Aluminium cladding:

Spilka can supply aluminum profiles for the cladding of windows and window doors. We are also happy to assist with individual design and other preparation for aluminum profiles



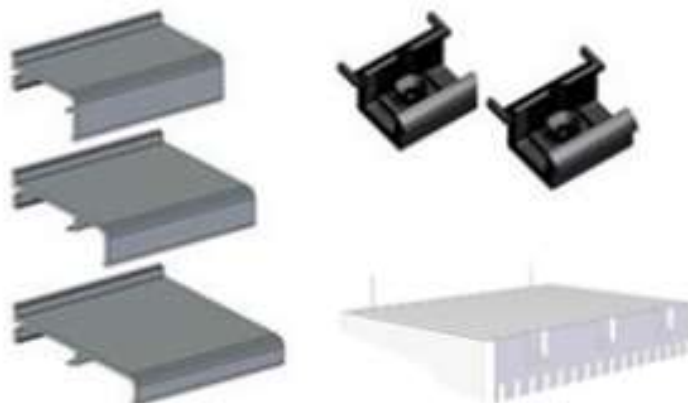
Aluminium bars and clips:

Spilka offers a selection of bars in aluminium complete with bar clips. We also offer a bar clip remover which simply and effectively loosens the window bars from their retaining clips on the sash face – for example before cleaning.



Glazing beads, clips, and wedges:

Aluminum glazing beads in various dimensions from 25mm to 48mm are delivered in either an untreated or white finish. Associated clips made of a durable plastic material are available to fasten the glazing beads to the frame and sash. Spilka also stocks glass wedges.



Vents:

The Spilvent ventilator is a well-tested window frame air vent allowing good air flow and seals in line with current building regulations. Available in five lengths with 10mm slot openings in the colors grey, black, brown and white.



Seals:

Lip gasket for sashes – helps to reduce heat loss in the window structure. Spilka can offer alternative types of seals by agreement.

